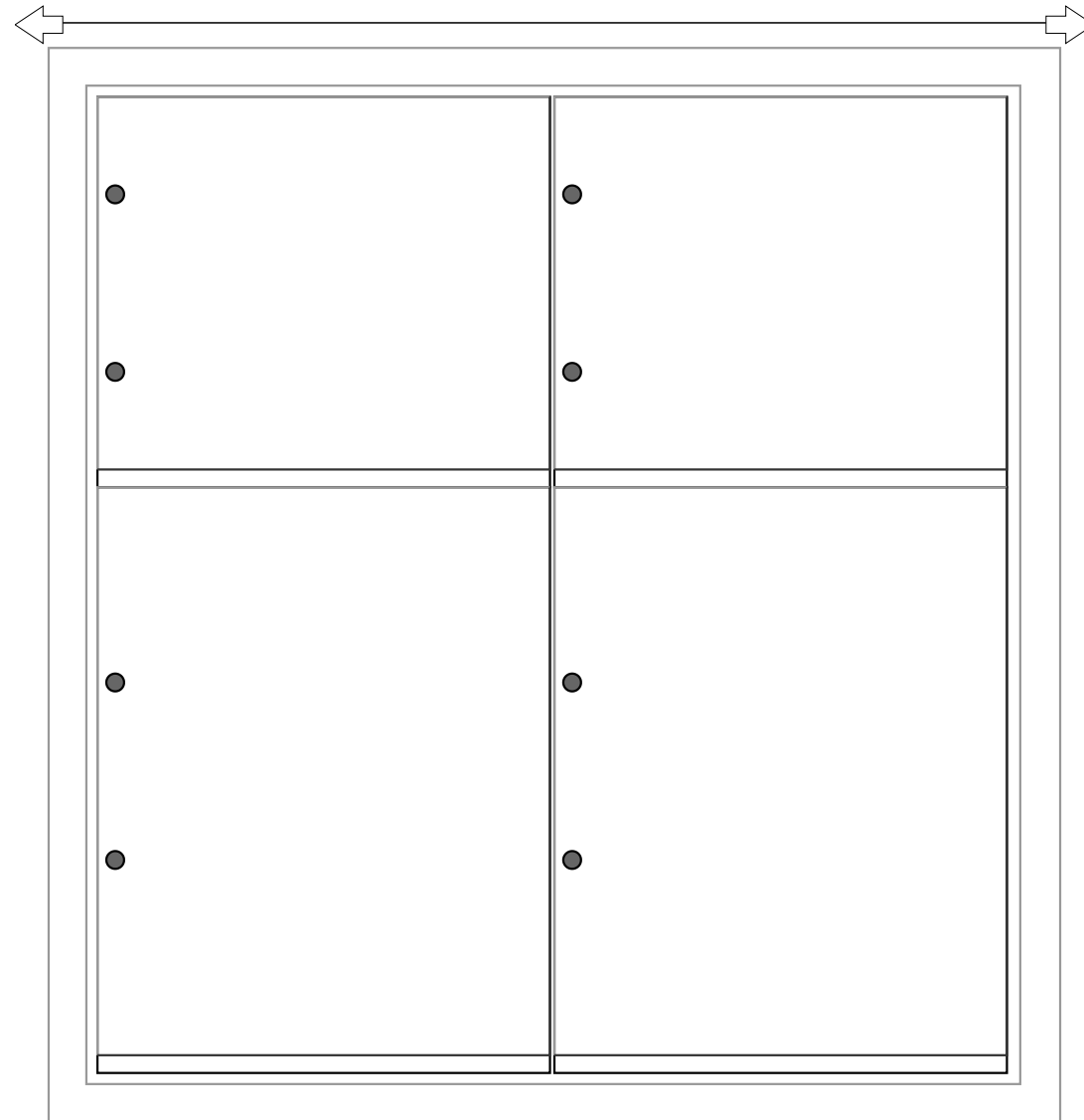


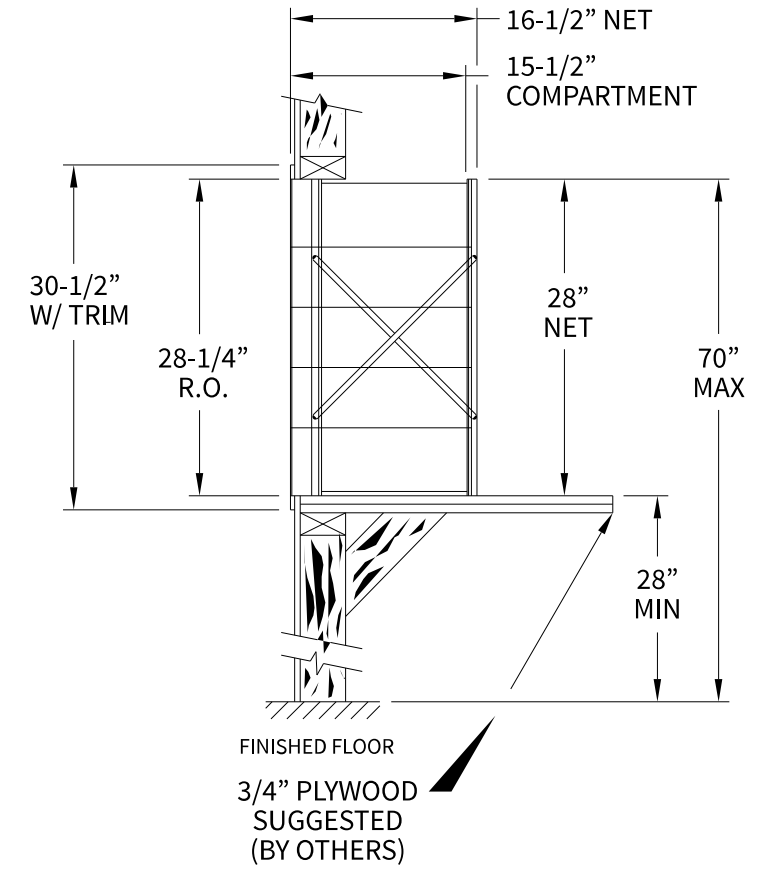
**140054PL Dimensions**

Overall Width w/ Trim: 29-3/4"  
(Rough Opening: 27-1/2")



**140054PL**

**Side View**



**Configuration Details:**

- 1. **Product Type:** 1400 Horizontal
- 2. **Installation:** Front-load, Recessed Mount
- 3. **Finish:** Anodized Aluminum
- 4. **Locks:** Standard Cam Lock, 2 keys
- 5. **Door Id:** tbd
- 6. **Master Door:** tbd

Matching standard snap-on trim included

**Models Used:**

(1) 140054PL

**Door Sizes Used:**

- (2) 1404 2x2 Parcel
- (2) 1406 2x3 Parcel

**DO NOT SCALE OFF DRAWING**

**ELEVATION:** 140054PL | **MAILBOXES:** 0 | **PARCELS:** 4 |

**PROJECT NAME:** 1400 Series Mailbox | **DRAWN BY:** FLORENCE

<b>DATE:</b> 01-15-2016	<b>P.O. NO:</b>
<b>SCALE:</b> NONE	<b>QUOTE NO:</b>
<b>DRAWING NO.</b> WEB-1932	<b>SHEET 1 OF 1</b>