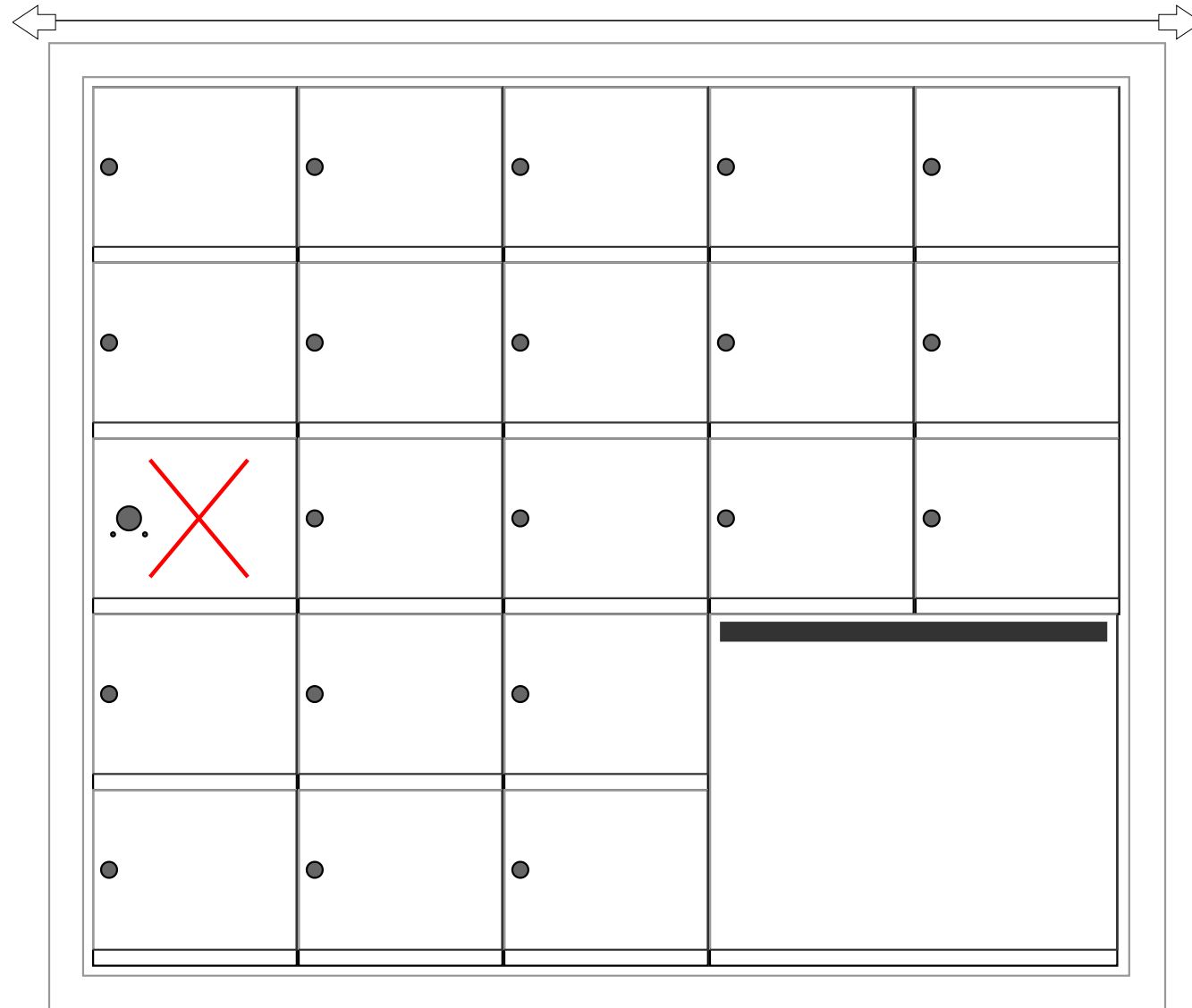


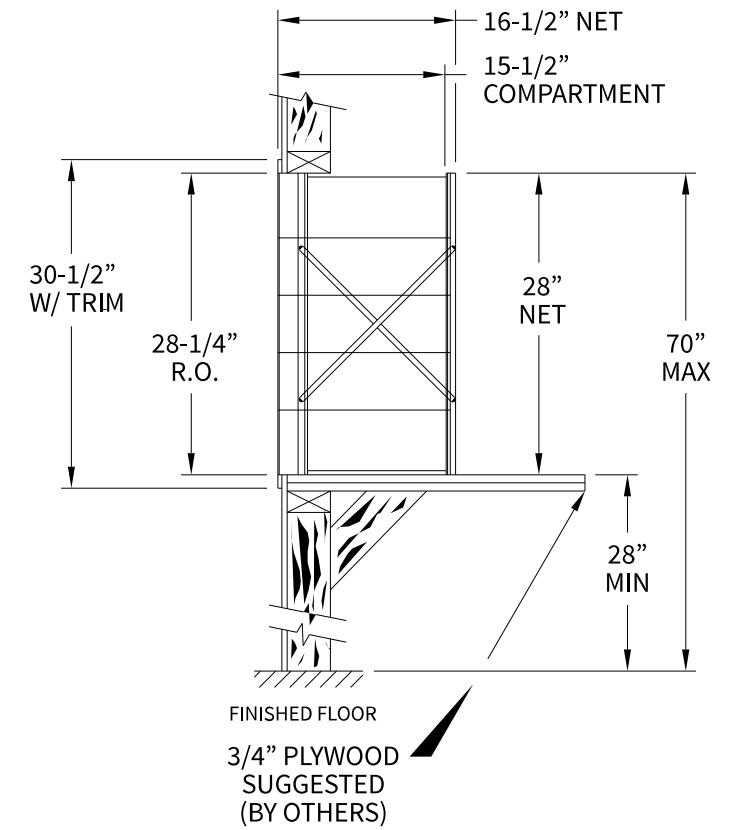
**140055OU Dimensions**

Overall Width w/ Trim: 36-1/8"  
(Rough Opening: 33-7/8")



**140055OU**

**Side View**



**Configuration Details:**

- 1. **Product Type:** 1400 Horizontal
- 2. **Installation:** Front-load, Recessed Mount
- 3. **Finish:** Anodized Aluminum
- 4. **Locks:** Standard Cam Lock, 2 keys
- 5. **Door Id:** tbd
- 6. **Master Door:** tbd

Matching standard snap-on trim included

**Models Used:**

(1) 140055OU

**DO NOT SCALE OFF DRAWING**

**Door Sizes Used:**

- (20) 1400 1x1 Compartment
- (1) 1x1 Master
- (1) 1404 2x2 Collection

<b>ELEVATION:</b> 140055OU   <b>MAILBOXES:</b> 20   <b>COLLECTION:</b> 1	
<b>PROJECT NAME:</b> 1400 Series Mailbox	
<b>DRAWN BY:</b> FLORENCE	
<b>DATE:</b> 01-15-2016	<b>P.O. NO:</b>
<b>SCALE:</b> NONE	<b>QUOTE NO:</b>
<b>DRAWING NO.</b> WEB-1933	<b>SHEET 1 OF 1</b>