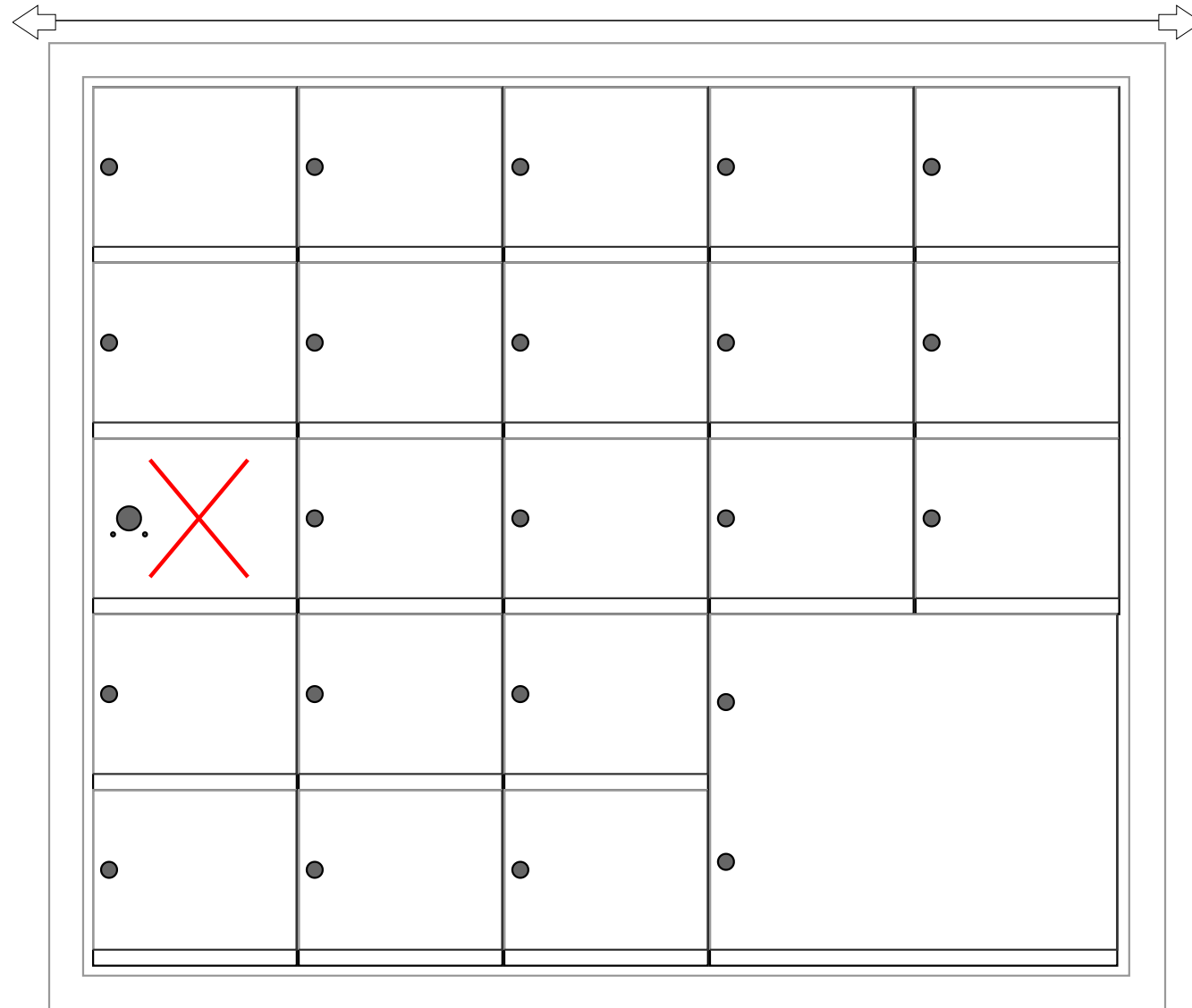
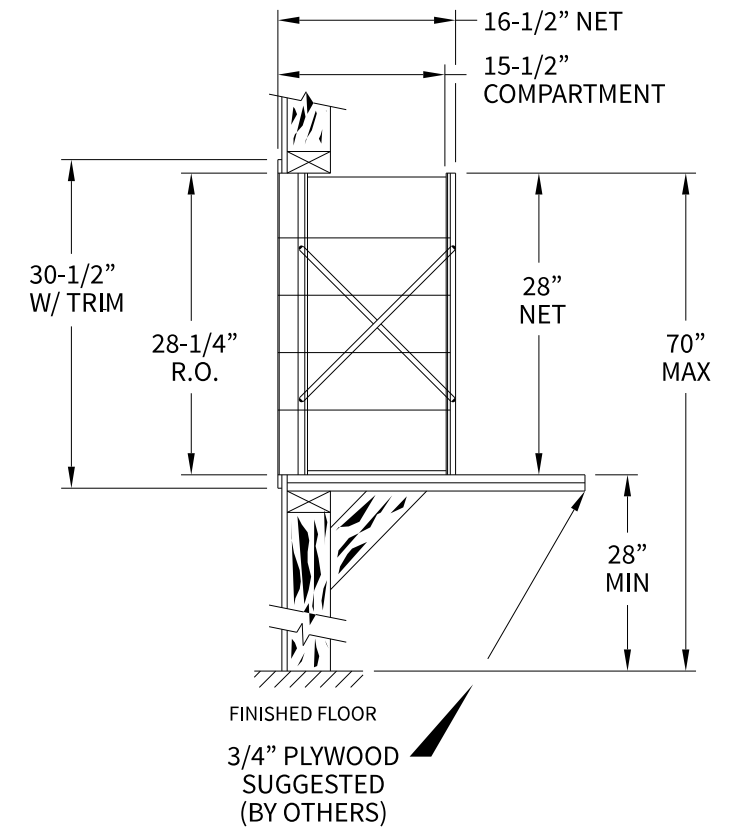


140055PL Dimensions

Overall Width w/ Trim: 36-1/8"
(Rough Opening: 33-7/8")



Side View



140055PL

Configuration Details:

- 1. **Product Type:** 1400 Horizontal
- 2. **Installation:** Front-load, Recessed Mount
- 3. **Finish:** Anodized Aluminum
- 4. **Locks:** Standard Cam Lock, 2 keys
- 5. **Door Id:** tbd
- 6. **Master Door:** tbd

Matching standard snap-on trim included

Models Used:

(1) 140055PL

DO NOT SCALE OFF DRAWING

Door Sizes Used:

- (20) 1400 1x1 Compartment
- (1) 1x1 Master
- (1) 1404 2x2 Parcel

ELEVATION: 140055PL | **MAILBOXES:** 20 | **PARCELS:** 1 |

PROJECT NAME: 1400 Series Mailbox | **DRAWN BY:** FLORENCE

DATE: 01-15-2016	P.O. NO:
SCALE: NONE	QUOTE NO:
DRAWING NO. WEB-1932	SHEET 1 OF 1