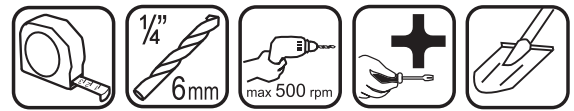
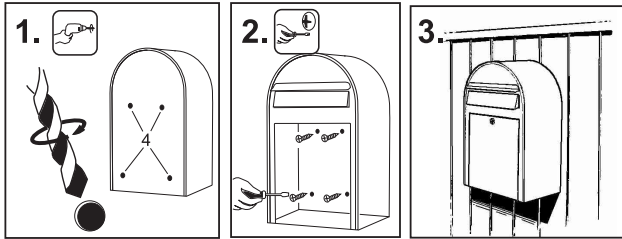


MOUNTING INSTRUCTIONS FOR BOBI, BONBOBI & BOBIROUND

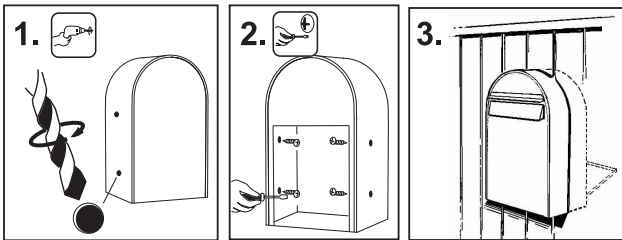


Mounting a BOBI mailbox to a wall or fence



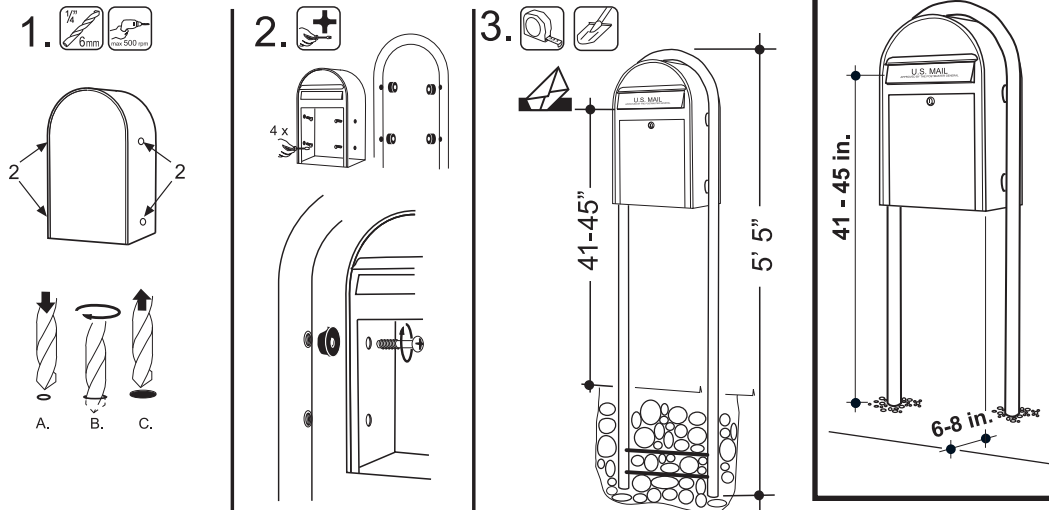
Drill out the 4 preformed holes which are in the back of the mailbox using a 1/4" or 6 mm drillbit.
Attention! Holes should be drilled with a low speed drill (maximum 500 rpm) and on stainless steel mailboxes it is recommended to use a drillbit made from hardened steel.
Fix the mailbox from inside using the 4 screws provided.

Mounting a BONBOBI mailbox to a fence



Drill out the 4 preformed holes which are on the side of the mailbox using a 1/4" or 6 mm drillbit.
Attention! Holes should be drilled with a low speed drill (maximum 500 rpm) and on stainless steel mailboxes it is recommended to use a drillbit made from hardened steel.
Fix the mailbox to the wall from inside using the 4 screws provided.

Mounting a BOBI or a BONBOBI mailbox on a BOBIROUND stand



1. Drill out the 4 preformed holes which are on the side of the mailbox using a 1/4" or 6mm drillbit.
Attention! Holes should be drilled with a low speed drill (maximum 500 rpm) and on stainless steel mailboxes it is recommended to use a drillbit made from hardened steel.
2. Fasten the mailbox to the stand using the fittings provided.
3. Dig a hole ca. 17" x 17" x 17". Place the mailbox and stand in the ground, check the level and fill the hole with coarse gravel or concrete. We recommend using a quick set concrete for a secure and solid installation.