

Instructions for 506 Tri-Light Units

Please Read and Save These Instructions

TOOLS AND MATERIALS REQUIRED:

Adjustable Wrench
Wire Cutters / Strippers
Multi Blade Screwdriver
Level

CAUTION: THE FOLLOWING INSTRUCTIONS COVER THE ASSEMBLY AND INSTALLATION OF THE FIXTURE ONLY.

PREPARATION:

MAKE CERTAIN:

1. To disconnect power at the main fuse box before installing the fixture.
2. The ground wire (bare or green insulated wire) is not connected to current carrying supply wires.
3. No bare wires are exposed outside of connectors when connecting current carrying fixture wires to current carrying house wires.
4. The insulation on fixture wires has not been damaged during installation.
5. No rough or sharp edges of any surface are in contact with wires.
6. Fixture supply wires are connected to proper house supply wires.
7. To use light bulbs with wattage no greater than specified for the fixture.
8. Power is off when placing light bulbs in fixture.

CONNECTIONS: All electrical connections must be in accordance with local codes, ordinances or the national electrical code. If you are unfamiliar with methods of installation of electrical wiring, please contact a local licensed electrician.

INSTALLATION:

The installation of the pipe and cable will end in a poured concrete base. The depth of this base will depend on local soil conditions and winter frost depth.

The concrete base should be 12" in diameter in order to hold the anchor bolts on the triangular plate (C). If the fixture is the last or only one on the circuit, allow an extra 3ft of cable to run up the inside of the bottom post. If the cable is to proceed to other fixtures, allow a 6ft loop. Take the 3 anchor bolts (B) and run a nut fully down each part of the threaded section. Insert the anchor bolts into the triangular plate (C) and secure with a second nut. The assembly will look like illustration 1.

Mix and pour the concrete into the form until it reaches the top. Push the assembly into the concrete until the plate is 1/4" above the concrete. Gently tap the side of the form to make sure the anchor bolts are fully surrounded by the concrete. **At this time it is very important to level the plate before the concrete sets.** Place a level across the metal plate in several locations to ensure it is level. Once the concrete has set, remove the 3 nuts on top of the triangular plate. Place the bottom post onto the 3 anchor bolts and secure with 3 split washers (E) and closed end nuts (D). At this point, the bottom post will be level and firmly anchored to the concrete base with about 12" of cable extending from the top.

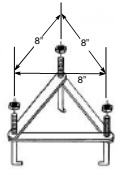
COMPLETING THE ASSEMBLY AND INSTALLATION:

1. Place each bulb into each socket. **CAUTION-DO NOT OVERLAMP, ALWAYS REFER TO THE MAX WATTAGE LABEL WHEN RELAMPING.**
2. Take the post section (M), feed the wire (U) through it and twist it into the fixture head assembly.
3. Take the post section (L), feed the wire through it and twist it into the bottom of the post section (M).
The final step of the assembly is to connect the fixture wire (U) to the cable and attach the post to the base. Being careful not to scratch or mark the fixture, rest the post section on the base and make the wire connections (illustration 3) using three wire nuts (not included as the size will vary depending on the size and number of cables).
 - Connect wires as follows: white to white (or fixture wire marked white), black to black (or fixture wire marked black), ground wire (bare copper or green) to ground wire. Securely tighten the wire nuts and cover with U.L. listed electrical tape.
 - Once the wires have been connected, raise the fixture up and after lining up the 3 holes in the bottom of the post, section (L), with the 3 threaded holes in the top of the bottom post (A), insert 3 bolts (V) and tighten. Do not over tighten. The fixture is now complete and installed. Restore power to the circuit and verify the operation of the fixture.



1634 Latrobe-Derry Road • Loyahanna, PA 15661 • Phone: (724) 537-4711 • Fax: (724) 537-9313
www.specialliteproducts.com • customer_service@specialliteproducts.com

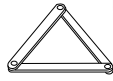
Assembly Instructions for 506 Tri-Light Units



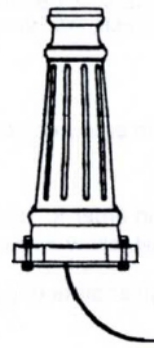
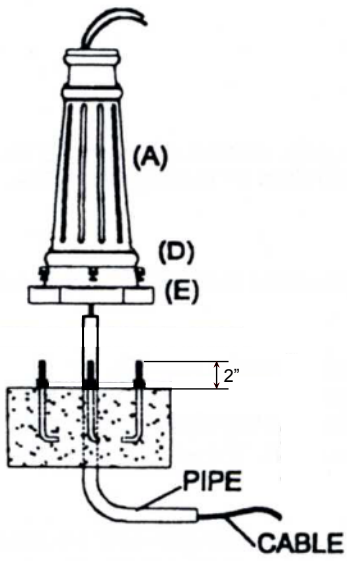
ILL 1



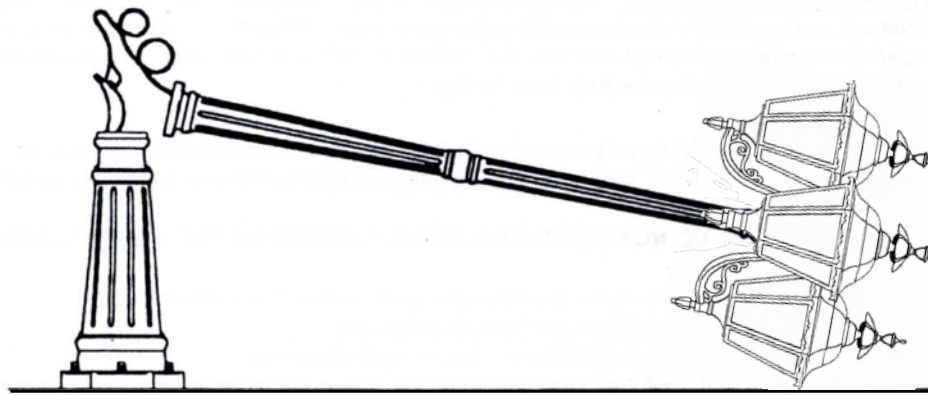
(B)



(C)



ILL 2



ILL 3

